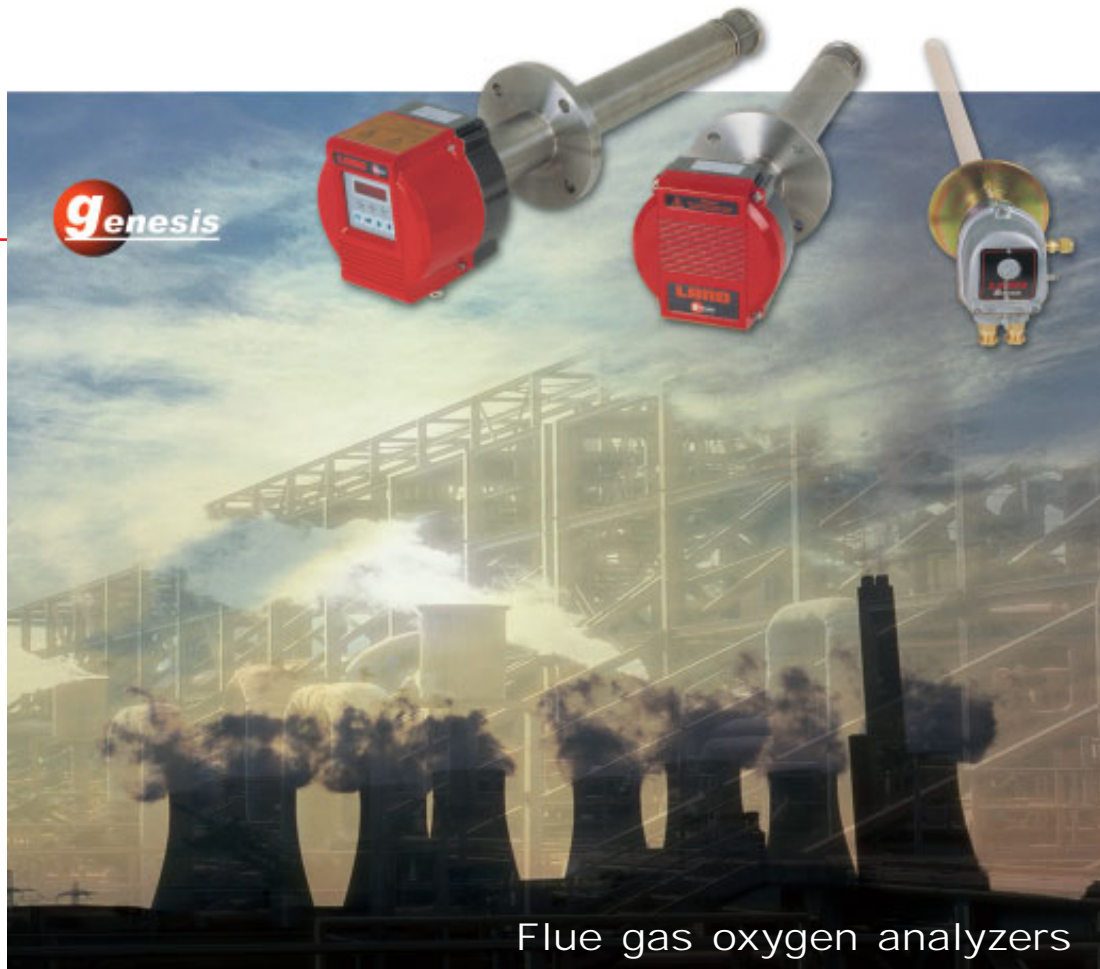


combustion

efficiency

monitoring



Flue gas oxygen analyzers

*General Purpose Applications*

# LAND

Combustion & Environmental Monitoring

An **AMETEK**® Company



# Flue Gas Oxygen

Genesis is a range of flue gas analyzers for measuring Oxygen within boilers and furnaces. The wide range of products available have the measurement capability, performance and quality to meet most industrial applications.

## Features & Benefits

- ⑨ Simple installation and operation - *4-key user interface controls all functions*
- ⑨ Outstanding sensor reliability - *Robust design with large surface area and rigid bonding*
- ⑨ High product confidence - *24 month complete probe warranty*
- ⑨ Proven performance - *TÜV approved*
- ⑨ Service and maintenance carried out on-site - *All parts are field replaceable*
- ⑨ Straightforward integration in plant control system - *Modbus communications capability*
- ⑨ Measurement systems for most applications

### Simple User Interface

Simple push-button operation combined with a clear LED display enable complete electronic control of the probe functions. Full setup and diagnostic information is also accessible through the user interface.

### Serial Communications

Genesis probes can communicate using the RS485 modbus protocol, for straightforward integration into the plant DCS. There are also both 4-20 mA analog and relay outputs.



# n Analyzers

the world's first fully-integrated  
stand-alone, flue gas  
oxygen analysis system



## Unique Flexibility

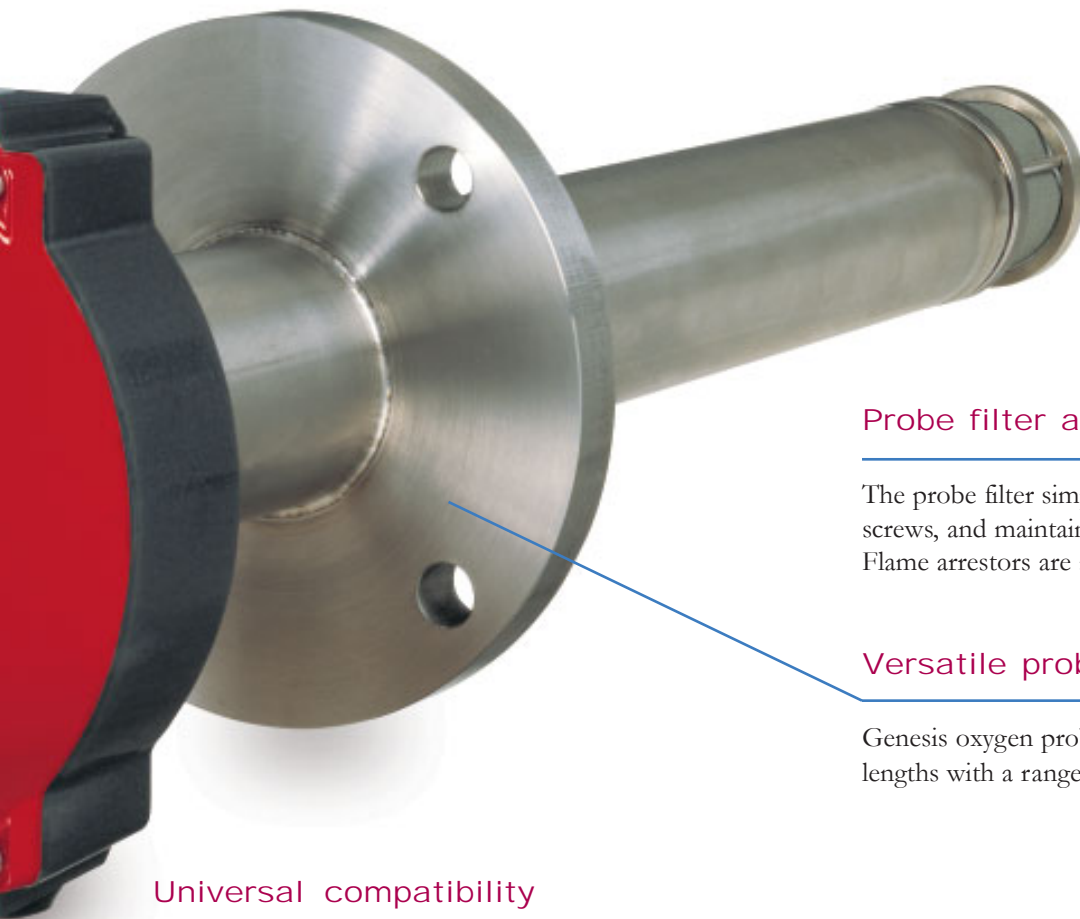


Genesis uniquely mounts the user interface onto the probe itself. This enables complete local control at the measurement location and reduces installation costs. Alternatively, the user interface can be detached and located for remote operation.

## Rugged Sensor design



The sensor is manufactured to the highest possible standards - allowing a minimum 2 year warranty. The sensor design gives a large surface area and an excellent bond between the zirconia and stainless steel holder.



## Probe filter assembly



The probe filter simply fits in place with 4 retaining screws, and maintains the integrity of the probe. Flame arrestors are also available.

## Versatile probe and mounting



Genesis oxygen probes are available in various lengths with a range of mounting flange options.

## Universal compatibility



The universal control unit is fully compatible with all genesis oxygen probes. It provides remote control, operation and displays readings for the measurement probe. In addition, the universal control unit is fully compatible with existing zirconia sensor oxygen probes from most manufacturers.

## Product Range

General Purpose	Flue Gas Temperature	Reading Display	Probe Type	Control Unit Type
Low Temperature	0 - 600 °C/ 32 - 1112 °F	Integrated	<b>Genesis g1200</b>	Integral with probe
Low Temperature	0 - 600 °C/ 32 - 1112 °F	Remote	<b>Genesis g1210</b>	<b>Genesis g1220</b>
High Temperature	600 - 1400 °C/ 1112 - 2552 °F	Remote	<b>Genesis g1230</b>	<b>Genesis g1220</b>

### g1200 Stand-alone, Low Temperature Fully-integrated Probe

The g1200 is the world's first fully-integrated oxygen analysis probe. The g1200 combines the measurement probe with the control unit into a single, fully integrated system. For applications where probe access is straightforward, the g1200 is the ideal choice as it reduces both installation time and costs.



### g1210 Low Temperature Probe

The g1210 measurement probe is capable of direct, in-situ measurement in all combustion processes up to 600 °C/1112 °F. Display of measurement readings and probe diagnostics is made remotely from the Universal Control Unit (g1220). The g1210 is ideally suited where normal access to the probe is restricted or environmentally hostile.










### g1230 High Temperature Probe

The g1230 measurement probe is capable of in-situ oxygen measurement in higher temperature combustion processes (such as furnaces and process heaters) up to 1400 °C/2552 °F. The probes come in varying lengths, with a choice of protection sheaths for specific temperature ranges. Display of measurement readings is made remotely using the Universal Control Unit (g1220).



### g1220 Universal Control Unit

The universal control unit has identical functionality to the control module of the g1200, but is mounted in the plant control room or other accessible location for easy access.

-  Control, display and diagnostics information
-  Simple user interface with LED display
-  User programmable for maximum flexibility
-  Automatic fault detection
-  Modbus communications
-  Small and compact
-  IP65/NEMA 4 protection



# LAND



## Applications

Combustion Efficiency  
Combustion Control  
Excess Air Measurement  
Pollution Control



## Industries

Bio-fuel Boilers  
Package Boilers  
Power Generation  
CCGT  
Petrochemicals  
Process Industries  
Pharmaceuticals  
Incineration  
Furnaces

## Specifications

### g1200 and g1210 Low Temperature Probes

Measuring Range:	0 to 5, 0 to 25 % Vol O <sub>2</sub> selectable
Accuracy:	±1 % of full scale
Repeatability:	±0.5 % of full scale on analog outputs
Response Time:	90 % of full scale within 5 seconds
Measuring Method:	Zirconia oxide sensor
Flue Gas Temp Range:	0 to 600 °C/32 to 1112 °F
Probe Lengths Options:	0.4/1.0/1.5/2.0 m/1.3/3.3/4.9/6.6 ft
Weight: (g1200)	8.8 to 15.1 kg/19.4 to 33.3 lb
Weight: (g1210)	6.8 to 13.1 kg/15 to 28.9 lb

### g1230 High Temperature Probe

Measuring Range:	0 to 5, 0 to 25 % Vol. O <sub>2</sub> selectable
Accuracy:	±1 % of full scale
Repeatability:	±0.5 % of full scale on analog outputs
Response Time:	90 % of full scale within 5 seconds
Measuring Method:	Zirconia oxide sensor
Flue Gas Temp. Range:	Type R - 600 to 1400 °C* / 1112 to 2552 °F* Type K - 600 to 900 °C / 1112 to 1652 °F
Probe Lengths Options:	0.6 or 1.0 m/ 24 or 40 inch
Weight:	2.5 kg (600 mm probe) - 5.51 lb (23.6 " probe) 2.8 kg (1000 mm probe) - 6.2 lb (39.4 " probe)
Operating Temperature:	-10 °C to +80 °C / 14 °F to 176 °F

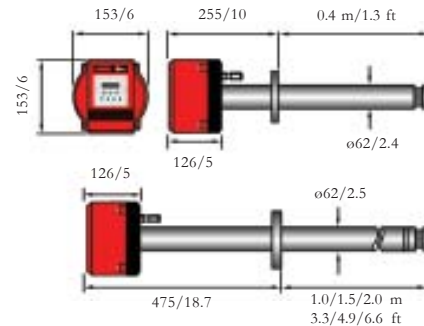
*\*Reduced probe life may result if operated above 1250 °C / 2282 °F*

### g1200 Probe Control Unit/g1220 Universal Control Unit

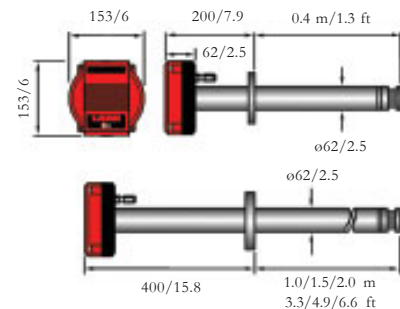
Display Type:	Single-line 4 digit LED
Parameters:	O <sub>2</sub> concentration; Calibration Gas Concentration; Cell Temperature; Fault Messages; Cell/Thermocouple Information
Analog Outputs:	Single channel isolated 0 to 10; 0 to 20; 2 to 20; 4 to 20mA menu selectable
Ranges:	Selectable range 0 to 5; 0 to 25% v/v O <sub>2</sub>
Serial Output:	RS485 Modbus protocol (2-wire, half-duplex)
Alarm Relays:	Single pole changeover 7A at 30 V d.c./250 V a.c.
Alarms:	High/Low customer selectable; System Fault; Maintenance/Cal. in Progress
Fault Indication:	LED indication and error codes
Calibration:	Option to track or hold
Calibration Types:	Manual; *Automatic; *Remote Trig.
Power Supply:	85 to 264 V a.c.; 48 to 62 Hz
Power Rating:	250 W
	<i>*Requires optional Automatic Calibration Gas Control Unit</i>
Compatibility:	All Genesis type probes Other zirconia type oxygen probes
Max. Distance to Probe:	300 m/ 985 ft
EMC:	Conforms to EN 50 081, EN 50 082
Safety:	Conforms to EN61010-1
Weight: (g1220)	2.7 kg/5.95 lb
Operating Temperature:	-20 °C to +70 °C / -4 °F to 158 °F

*Continuous product development may make it necessary to change these details without notice*

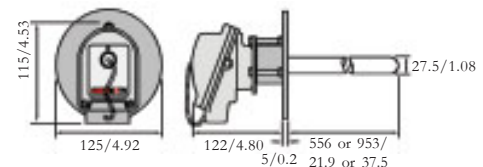
### g1200 Probe



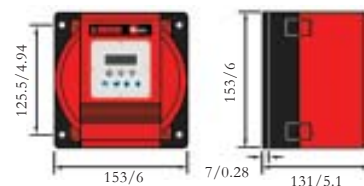
### g1210 Probe



### g1230 Probe



### g1220 Control Unit



*All dimensions are given in mm / inches except where stated*

## Office Locations

### UK - Dronfield

Tel: +44 (0) 1246 417691

E-Mail: [combustion.info@landinst.com](mailto:combustion.info@landinst.com)

Web: [www.landinst.com](http://www.landinst.com)

### USA - Pittsburgh

AMETEK Process Instruments

Tel: +1 412 828 9040

E-Mail: [combsales@ametech.com](mailto:combsales@ametech.com)

Web: [www.landinstruments.net](http://www.landinstruments.net)

### USA - Delaware

Tel: +1 302 456 4400

### USA - Texas

Tel: +1 281 463 2820

### Canada

Tel: 403-235-8400

### China - Beijing

Tel: +86 10 8526 2111

### China - Shanghai

Tel: +86 21 6426 7049

### China - Chengdu

Tel: +86 28 8675 8111

### France - Bailly

Tel: +33 (0) 1 30 80 89 20

E-Mail: [info-combustion@landinst.fr](mailto:info-combustion@landinst.fr)

Web: [www.landinst.fr](http://www.landinst.fr)

### France - Elancourt

Tel: +33 1 30 68 89 20

### Germany - Meerbusch

Tel: +49 (0) 21 59 91 36 0

### Italy - Milan

Tel: +39 02 946931

E-Mail: [comb.info@landinst.it](mailto:comb.info@landinst.it)

Web: [www.landinst.it](http://www.landinst.it)

### Middle East - Dubai

Tel: +971 4 881 2052

### Mexico - Mexico City

Tel + 52 55 5281 1165

E-Mail: [ventas@landinstruments.net](mailto:ventas@landinstruments.net)

### Poland - Krakow

Tel: +48 (0) 12 632 82 62

E-Mail: [land@land.com.pl](mailto:land@land.com.pl)

Web: [www.land.com.pl](http://www.land.com.pl)

### Singapore

Tel: +65 6484 2388

## Accessories

### g1270 Automatic Calibration Unit



To help with compliance, as well as reducing maintenance and increasing accuracy, this unit automatically controls the calibration gas (both zero and span) to the Genesis probe at programmed intervals. The g1270 functions are controlled (as with the probe) by the control unit.

## Specifications

### Genesis g1270 Automatic Calibration Unit

Dimensions:	300x200x155 mm/11.8x7.9x6.1 in (HxWxD)
Weight:	6 kg/13.2 lb
Operating Temp:	0 to 50 °C/32 to 122 °F
Enclosure Rating:	IP65/NEMA4
Power Supply:	110 V or 240 V a.c. 50-60 Hz 10 VA
Supply Tolerance:	-10 % +20 %
Gas Inlet Pressure:	1.7 to 2.0 bar/25-30 psi
Gas Outlet Flow:	3.0 litres/min. for g1200 & g1210 0.8 to 1.0 litres/min. for g1230
Pressure Switch:	1 bar/15 psi trip pressure
Slave Relays:	2- galvanically isolated changeover contacts

*Continuous product development may make it necessary to change these details without notice*

## Reference Air Supply Units

To achieve the best measurement performance it is essential that reference air with 20.9 % Oxygen is present at the measurement cell. Land have two options for providing reference air: an air regulator system or an electric air pump.

# LAND

[www.landinst.com](http://www.landinst.com)

An **AMETEK** Company

Copyright © 2000 - 2007 LAND

Land has a comprehensive range of Combustion and Environmental Monitoring Instrumentation.



Approval applies to products designed and manufactured in the UK

Approval applies in the USA

PDS181/03/07